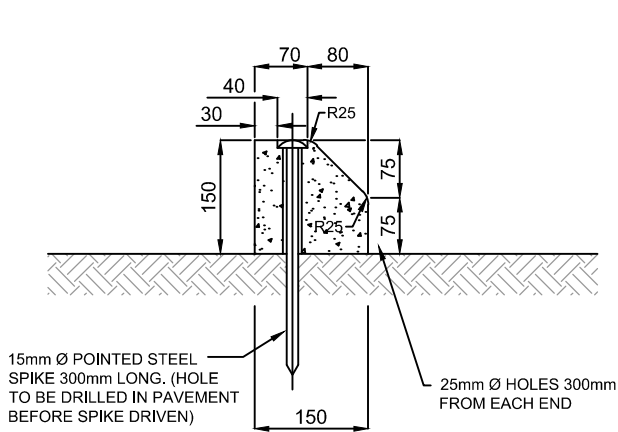
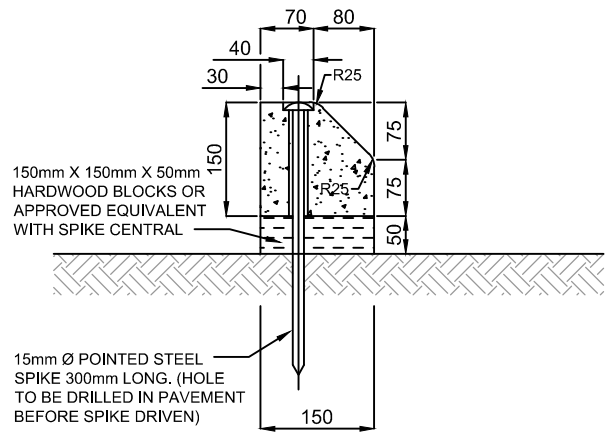


**SPIKED SM1 (CAST IN-SITU)**



**SPIKED BARRIER KERB (PRECAST)**



NOTE: THIS DETAIL TO BE FOLLOWED FOR APPLICATIONS WHEREBY THE SPIKED KERBING INTERRUPTS THE FLOW OF DRAINAGE OR AS DIRECTED BY WSC.

**SPIKED BARRIER KERB (PRECAST) ON BLOCKS**

**NOTES:**

1. SPIKES TO BE HOT DIPPED GALVANISED.
2. CONCRETE MIX TO BE 280KG CEMENT PER CUBIC METRE OF CONCRETE

Drawing name: E:\my documents\work\0jobs\3\WC\standards development\standard drawings\SD1-4 REV A.dwg (05 Nov, 2015)

REV.	DATE	REVISION DESCRIPTION	DRN.	APPD.
A	9/10/15	ORIGINAL ISSUE	S.W.	S.P.

**GENERAL NOTES:**

1. DRAWING NOT TO BE SCALED.
2. ALL MEASUREMENTS ARE IN MILLIMETRES UNLESS STATED OTHERWISE.
3. FOR UP-TO-DATE DRAWINGS PLEASE CONTACT WENTWORTH SHIRE COUNCIL (WSC) OR CHECK THE WSC WEBSITE.
4. ALL STANDARD DRAWINGS ARE TO BE USED IN CONJUNCTION WITH SD1-1 (STANDARD DRAWINGS CONDITIONS OF USE).

**WENTWORTH  
SHIRE COUNCIL**  
WORTH THE DRIVE

STANDARD DRAWINGS  
STANDARD SPIKED KERBS

DATE CREATED:  
9/10/15

DRG. NO:

**SD1-4**

REV:

**A**